



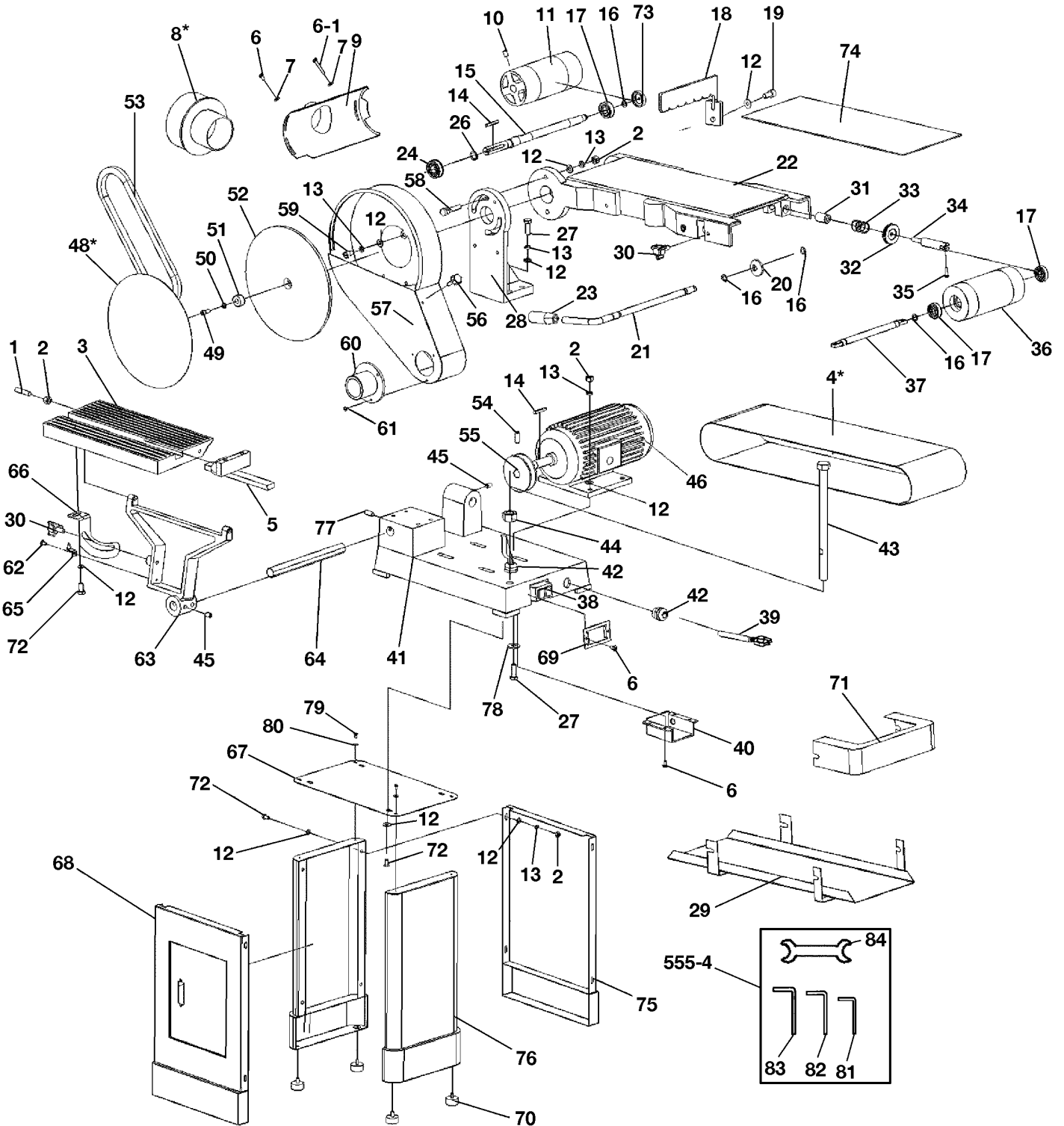
# Service Manual / Manuel de Service

## 6" x 48" Belt & 9" Disc Sander Ponceuse à Courroie 6" x 48" et à Disque 9"



Revised/Revisé 08/2008

### KC-760L





## Parts Pricing List / Liste de Prix des Pièces

# KC-760L

Diag.	Order # Com.	English Description	Description Française	Qty./Qté.	Price/Prix
1	5507600010	SET SCREW (POINTED)	VIS SANS TETE (POINTUE)	2	\$2.24
2	5507600020	HEX. NUT	ECROU HEXAGONAL	16	\$1.61
3	5507600030	TILT TABLE	TABLE INCLINABLE	1	\$45.94
4	SB-648	SANDING BELT	COURROIE DE PONCAGE	1	-
5	5507600050	MITER GAUGE	GUIDE A ONGLETS	1	\$22.94
6	5507600060	PAN HD SCREW	VIS A TETE BOMBEE	9	\$1.55
6-1	5507600061	PAN HD SCREW	VIS A TETE BOMBEE	1	\$1.90
7	5507600070	WASHER	RONDELLE	3	\$1.55
8	K-1044	DUST CHUTE ADAPTOR	ADAPTATEUR POUR SORTIE DE POUS.	1	-
9	5507600090	BELT DUST CHUTE	SORTIE DE POUSSIERE/COURROIE	1	\$17.19
10	5507600100	SET SCREW	VIS SANS TETE	2	\$2.01
11	5507600110	DRIVING ROLLER	ROULEAU D'ENTRAINEMENT	1	\$45.94
12	5507600120	WASHER	RONDELLE	35	\$1.55
13	5507600130	SPRING WASHER	RONDELLE A RESSORT	21	\$1.67
14	5507600140	KEY	CLE DE RETENUE	2	\$2.24
15	5507600150	DRIVING SHAFT	AXE D'ENTRAINEMENT	1	\$32.14
16	5507600160	RETAINING RING/SHAFT	ANNEAU DE RETENUE/TIGE	9	\$1.55
17	5507600170	BALL BEARING	ROULEMENT A BILLES	3	\$11.10
18	5507600180	STOP BLOCK	BLOC D'ARRET	1	\$22.94
19	5507600190	CAP SCREW	BOULON A TETE CYLINDRIQUE	1	\$1.84
20	5507600200	TENSION PLATE	PLAQUE DE TENSION	2	\$4.54
21	5507600210	TENSION LEVER	LEVIER DE TENSION	1	\$20.64
22	5507600220	BELT FRAME	CHASSIS DE LA COURROIE	1	\$224.25
23	5507600230	LEVER KNOB	BOUTON DU LEVIER	1	\$4.43
24	5507600240	BALL BEARING/RETAINING RING	ROULEMENT A BILLES/ANNEAU DE RET.	1	\$22.94
26	5507600260	RETAINING RING/SHAFT	ANNEAU DE RETENUE/TIGE	1	\$1.55
27	5507600270	HEX. BOLT	BOULON HEXAGONAL	8	\$1.90
28	5507600280	TILT BRACKET	SUPPORT D'INCLINAISON	1	\$63.19
29	5507600290	SANDING BELT COVER	COUVERCLE/COURROIE DE PONCAGE	1	\$22.94
30	5507600300	LOCK KNOB	BOUTON DE VERROUILLAGE	5	\$5.69
31	5507600310	ADJUSTABLE AXLE	AXE AJUSTABLE	2	\$11.44
32	5507600320	ADJUSTABLE NUT	ECROU AJUSTABLE	2	\$3.16
33	5507600330	SPRING	RESSORT	2	\$3.97
34	5507600340	ROLLER ADJUSTMENT BAR	BARRE D'AJUSTEMENT DU ROULEAU	2	\$14.89
35	5507600350	PAN HD SCREW	VIS A TETE BOMBEE	2	\$1.67
36	5507600360	IDLER ROLLER	ROULEAU DE TENSION	1	\$40.19
37	5507600370	IDLER SHAFT	AXE DE TENSION	1	\$20.64
38	5507600380	SWITCH	INTERRUPTEUR	1	\$11.44
39	5507600390	POWER CORD	CORDON D'ALIMENTATION	1	\$17.19
40	5507600400	SWITCH BOX	BOITIER DE L'INTERRUPTEUR	1	\$14.89
41	5507600410	BASE	BASE	1	\$218.44
42	5507600420	STRAIN RELIEF	ATTACHE DE FIL	2	\$2.59
43	5507600430	SUPPORT ROD	TIGE DE SUPPORT	1	\$10.87
44	5507600440	HEX. NUT	ECROU HEXAGONAL	1	\$2.47
45	5507600450	SET SCREW	VIS SANS TETE	6	\$2.01
46	5507600460	MOTOR	MOTEUR	1	\$228.85
48	SD-9-K	SANDING DISC	DISQUE DE PONCAGE	1	-

Pricing subject to change without prior notice. / Prix sujet à changement sans préavis.



## Parts Pricing List / Liste de Prix des Pièces

# KC-760L

Diag.	Order # Com.	English Description	Description Française	Qty./Qté.	Price/Prix
49	5507600490	CAP SCREW	BOULON A TETE CYLINDRIQUE	1	\$2.24
50	5507600500	SPRING WASHER	RONDELLE A RESSORT	1	\$1.55
51	5507600510	DISC INSERT	INSERTION DE DISQUE	1	\$3.39
52	5507600520	DISC AND PULLEY	DISQUE ET POULIE	1	\$45.94
53	5507600530	V-BELT	COURROIE EN "V"	1	\$12.36
54	5507600540	SET SCREW	VIS SANS TETE	1	\$2.13
55	5507600550	MOTOR PULLEY	POULIE DU MOTEUR	1	\$13.74
56	5507600560	KNOB	BOUTON	1	\$5.69
57	5507600570	BELT GUARD	GARDE DE LA COURROIE	1	\$34.44
58	5507600580	LOCK BAR	BARRE DE VERROUILLAGE	2	\$3.74
59	5507600590	CAP SCREW	BOULON A TETE CYLINDRIQUE	3	\$1.67
60	5507600600	DISC DUST CHUTE	SORTIE DE POUSSIERE DU DISQUE	1	\$9.14
61	5507600610	SELF-TAPPING SCREW	VIS AUTOTARAUDEUSE	3	\$1.67
62	5507600620	PAN HD SCREW	VIS A TETE BOMBEE	1	\$1.55
63	5507600630	TABLE SUPPORT BRACKET	SUPPORT DE LA TABLE	1	\$45.94
64	5507600640	SUPPORT SHAFT	TIGE DE SUPPORT	1	\$14.89
65	5507600650	POINTER	INDICATEUR	1	\$2.82
66	5507600660	MITER SCALE	ECHELLE D'ANGLE	1	\$11.44
67	5507600670	UPPER PLATE	PLAQUE DU HAUT	1	\$28.69
68	5507600680	FRONT PLATE	PLAQUE AVANT	1	\$68.94
69	5507600690	SWITCH PLATE	PLAQUE D'INTERRUPTEUR	1	\$4.31
70	5507600700	RUBBER FOOT	PIED EN CAOUTCHOUC	4	\$3.16
71	5507600710	GUARD	GARDE	1	\$11.44
72	5507600720	HEX. BOLT	BOULON HEXAGONAL	13	\$1.67
73	5507600730	RUBBER COVER	COUVERCLE EN CAOUTCHOUC	1	\$3.39
74	5507600740	GRAPHITE-COATED PLATE	PLAQUE RECOUVERTE EN GRAPHITE	1	\$28.69
75	5507600750	BACK PLATE	PLAQUE ARRIERE	1	\$57.44
76	5507600760	SIDE PLATE	PLAQUE DU COTE	2	\$51.69
77	5507600770	SET SCREW	VIS SANS TETE	2	\$2.24
78	5507600780	WASHER	RONDELLE	4	\$1.67
79	5507600790	PAN HD SCREW	VIS A TETE BOMBEE	4	\$1.55
80	5507600800	WASHER	RONDELLE	4	\$1.50
81	5507600810	HEX. KEY (4MM)	CLE HEXAGONALE (4MM)	1	\$2.70
82	5507600820	HEX. KEY (5MM)	CLE HEXAGONALE (5MM)	1	\$2.82
83	5507600830	HEX. KEY (6MM)	CLE HEXAGONALE (6MM)	1	\$2.93
84	5507600840	OPEN END WRENCH (12-14MM)	CLE OUVERTE (12-14MM)	1	\$4.54
555-4	5507605554	TOOL BAG	SAC A OUTILS	1	\$11.44
	550760MBIL	BILINGUAL MANUAL KC-760L	MANUEL BILINGUE KC-760L	1	\$15.00